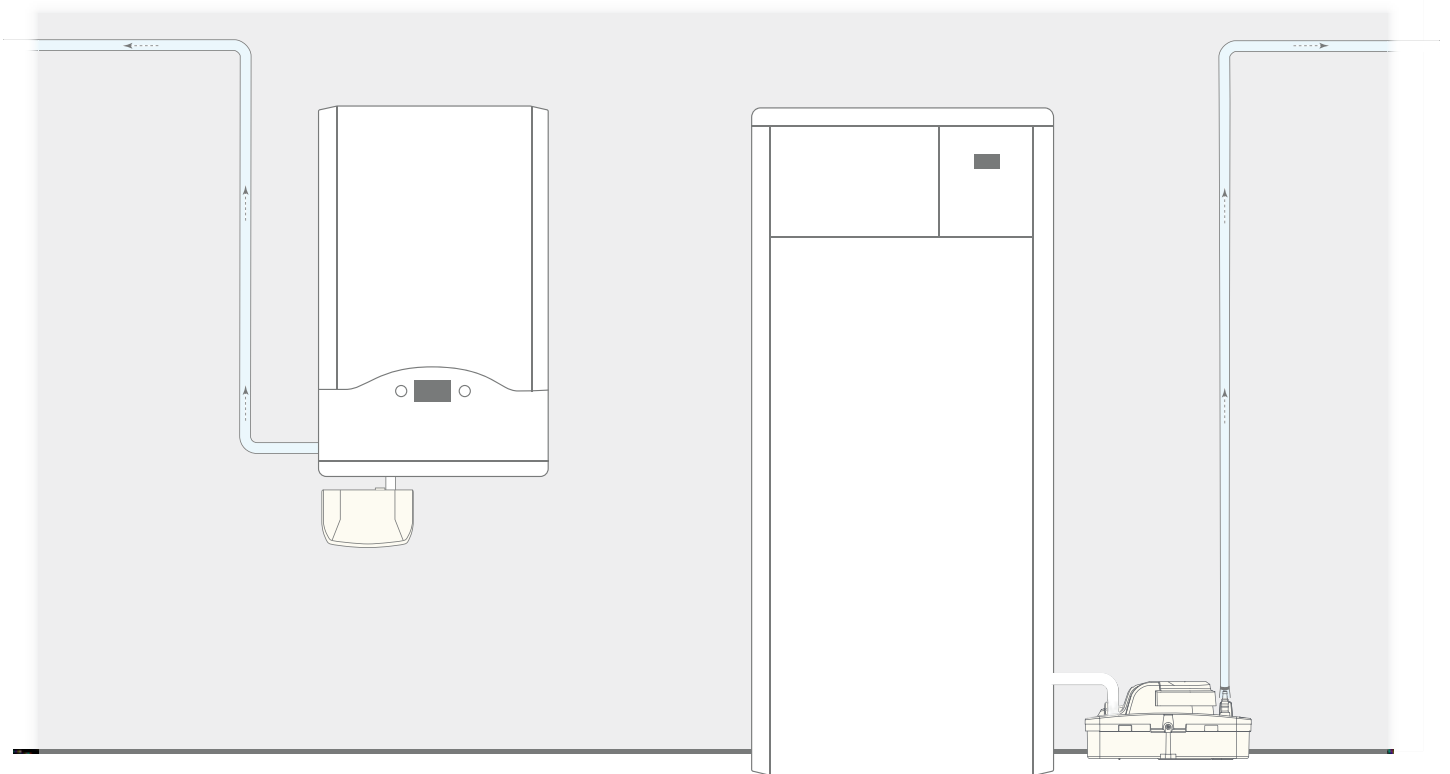
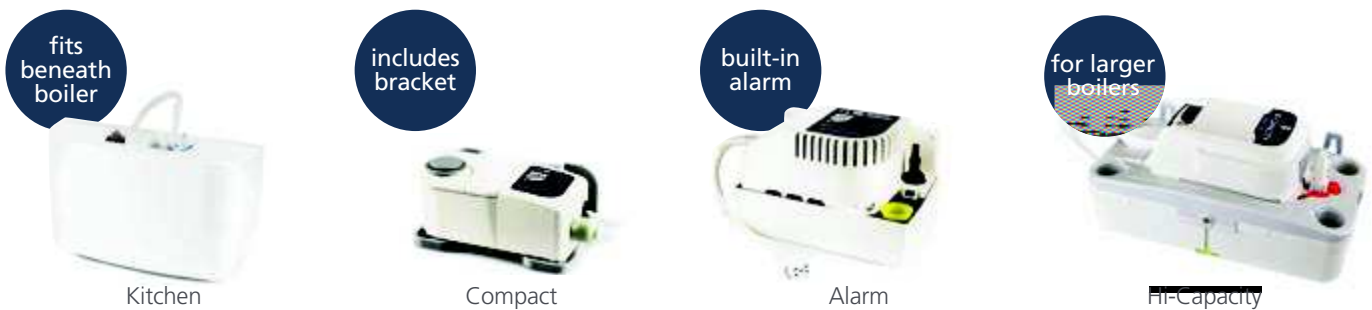


- Boiler specific
- High performance
- Easy inspection
- Great aesthetics

Boiler pumps

The perfect partnership

A condensing boiler is a high efficiency boiler that recycles and takes heat from the exhaust gases leaving excess water. Our high performance boiler pumps remove this excess water offering excellent performance, easy inspection and great aesthetics.



- 1 Kitchen boiler pump wall mounted beneath boiler (as can Compact boiler pump using supplied bracket)
- 2 Hi-Capacity boiler pump floor mounted next to floor standing boiler (as can the Alarm boiler pump and Compact boiler pump)



AIR CONDITIONING



REFRIGERATION



HEATING



EN

Kitchen

CONDENSATE REMOVAL PUMP

Designed to take the heat! Extra quick & easy to fit, the Kitchen all-in-one boiler pump is designed to be fitted beneath domestic gas boilers and furnaces.



12L/h max. flow



10m max. rec. head (flow rate 4L/h)



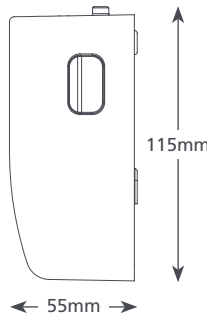
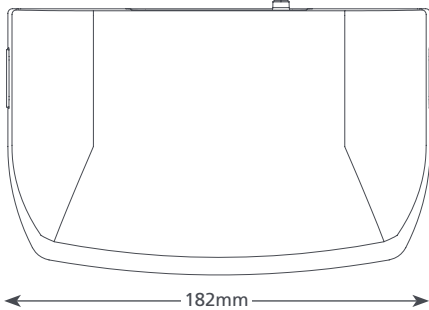
21dB(A)

KEY FEATURES

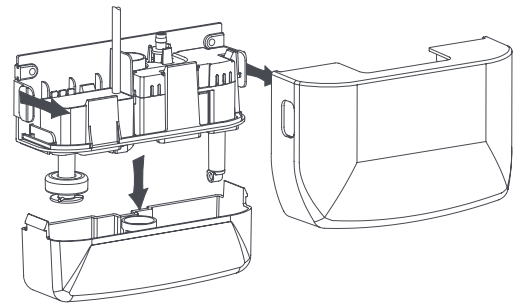
- Compact & discreet
- Mounts under boiler
- Quiet operation
- Clear removable reservoir

SUITABILITY

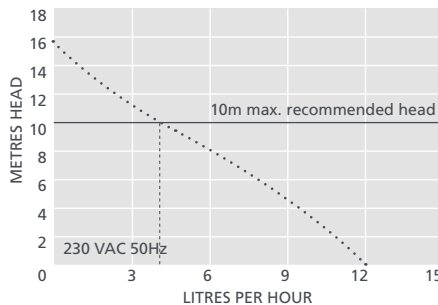
- Up to 45kW / 153,000Btu/h with condensate PH value >2.7
- ✓ **Perfect for...** Domestic gas fired condensing boilers & furnaces



0.46 kg



KITCHEN BOILER @ 230 VAC 50Hz	
Max. flow	12L/h @ 0 head
Max. rec. head	10m
Tank capacity	0.24L
dB(A) @ 1m	21
Power supply	230 VAC, 0.1A, 50/60Hz
Rated	Non continuous
Class	II appliance <input type="checkbox"/>
Max. unit output	45kW / 153,000Btu/h
Max. water temp	60°C / 140°F
Inlet/outlet	20mm in, 6mm out
IP Protection	IP21
Safety switch	3.0A Normally closed
Thermal protection	✓
Fully potted	✓
Self priming	✓



KITCHEN BOILER OPTIONS

Kitchen boiler pump (UK)	FP2948
Kitchen boiler pump (EU)	FP2943

SUGGESTED XTRA ACCESSORIES

Description	Part No.
Tube To Soil Stack Adaptor	FP2038
1 Amp Fuse	FP2620
Vinyl Tube Braided 1/4" (6mm)	AX5100
Acid Neutraliser	FP1021

Xtra For more installation accessories take a look at our Aspen Xtra range

IN THE BOX

- Kitchen boiler pump (inc. 1m power cable)
- 6m discharge tube (6mm ID)
- Inlet adaptor for 22 & 28mm pipe
- Pipe adaptor
- Fixing kit
- Install manual

Download manual at aspenspumps.com

Information correct at time of going to press.



aspenspumps.com

+44 (0)1323 848842

sales@aspenspumps.com

reliable | silent | simple